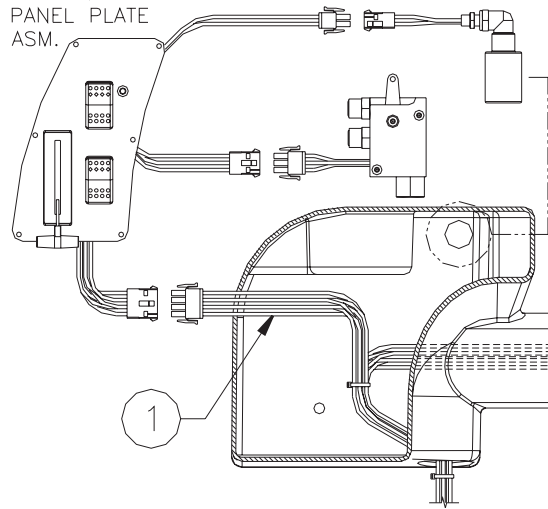
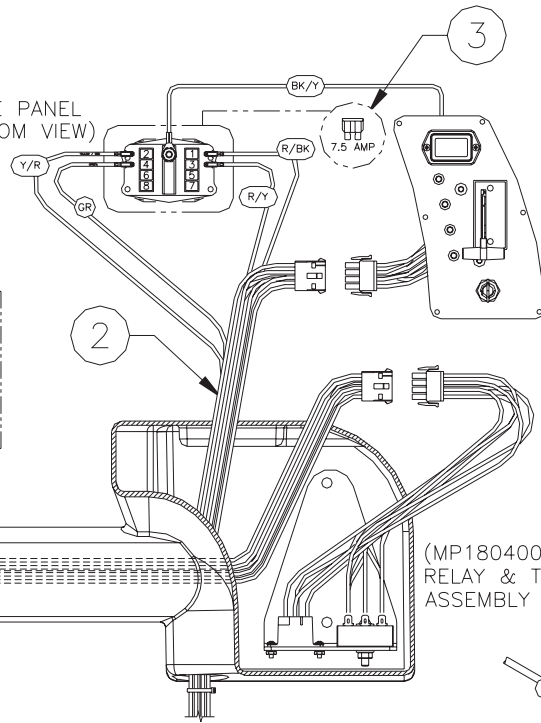


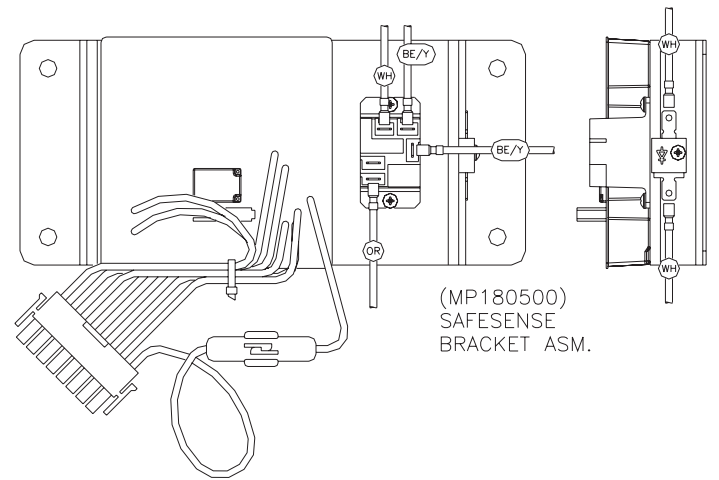
(PS000900)
LS CONTROL
PANEL PLATE
ASM.



FUSE PANEL
(BOTTOM VIEW)



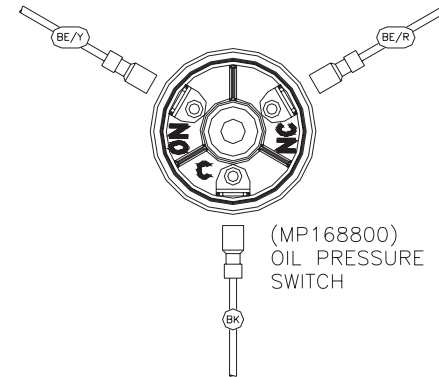
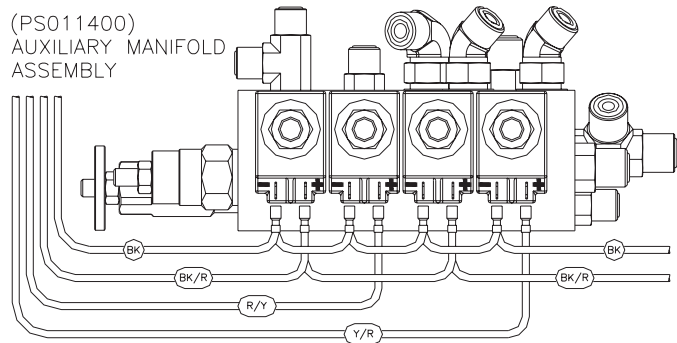
(PS001000)
RS CONTROL
PANEL PLATE
ASM.



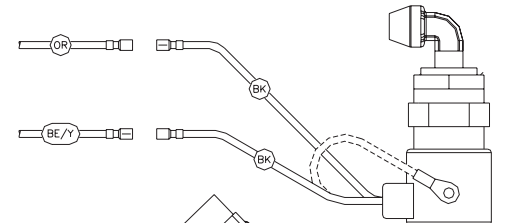
(MP180500)
SAFESENSE
BRACKET
ASM.

(MP180400)
RELAY & TIMER
ASSEMBLY

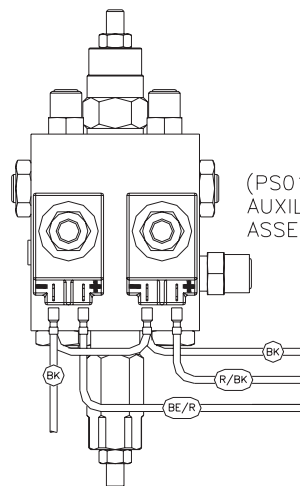
(PS011400)
AUXILIARY MANIFOLD
ASSEMBLY



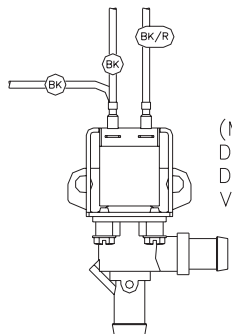
(MP168800)
OIL PRESSURE
SWITCH



(PS011500)
AUXILIARY MANIFOLD
ASSEMBLY



(MP156500)
DELTRON
DISPENSING
VALVE



(MP159000)
LP REGULATOR
ASSEMBLY

