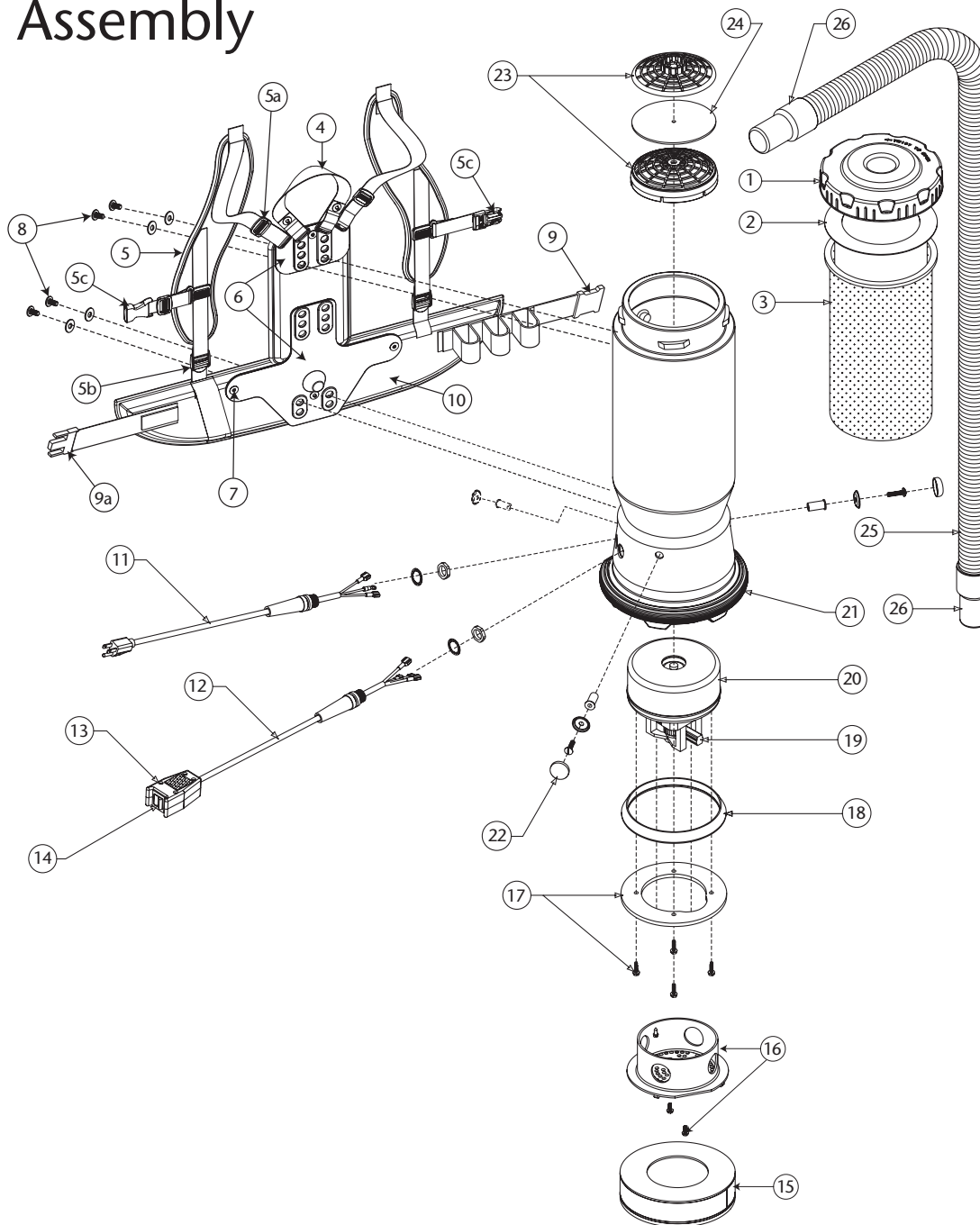


ProVac/AviationVac Assembly



| PART # | | PROVAC & AVIATIONVAC | QTY |
|--------|--------|---|-------|
| 1 | 104273 | Twist Cap (Black) | 1 ea. |
| 2 | 100431 | 496 Sq. In. Intercept Micro Filter | 10/pk |
| 3 | 100564 | Micro Cloth Filter | 1 ea. |
| 4 | 101737 | Carry Handle w/Rivet and Washer Set | 1 set |
| 5 | 100356 | Shoulder Strap Assembly: (includes: #5a, 5b, 5c) | 1 set |
| 5a | 100358 | Shoulder Strap Plastic Adjustment (Top) | 1 ea. |
| 5b | 100357 | Shoulder Strap Plastic Adjustment (Bottom) | 1 ea. |
| 5c | 103627 | Sternum Strap Buckles (Latch and Keeper) | 1 set |
| 6 | 105046 | Backplate (includes: #7) | 1 ea. |
| 7 | 100375 | Barrel Nut Connection Set for Backplate (Replacement) | 1 set |
| 8 | 100716 | Backplate (Black) Connection Set: 4 Screws w/Washers | 1 set |
| 9 | 103963 | Waist Belt Keeper | 1 ea. |
| 9a | 100364 | Waist Belt Latch | 1 ea. |
| 10 | 100359 | Waist Belt (includes: #9, 9a) | 1 ea. |
| | 100354 | Strap Assembly Complete (includes: #5, 5a, 5b, 5c, 9, 9a, 10) | 1 set |
| | 103166 | Backplate System Complete (includes: #4, 5, 5a, 5b, 6, 7, 8, 9, 9a, 10) | 1 set |
| 11 | 100641 | Power Cord (18" 16/3) Assembly | 1 set |
| 12 | 101610 | Switch Cord Assembly Complete (includes: #12,13,14) | 1 set |
| | 101714 | Switch Cord w/Crimps | 1 ea. |
| | 101715 | Switch Cord w/Crimps (AviationVac) | 1 ea. |
| | 101717 | Switch Cord Assembly Complete w/Switch and Box (AviationVac) | 1 ea. |
| 13 | 101472 | Switch Box w/Velcro, Screws and new Lamb Switch | 1 set |
| | 106287 | Switch Box w/Velcro and Screws | 1 set |
| 14 | 106066 | On/Off Switch (must be used with 106287) | 1 ea. |
| 15 | 105800 | Sound Muffler | 1 ea. |

| | | | |
|----|--------|--|-------|
| 16 | 105044 | Motor Shroud Cover with Screws (2 Screws) | 1 set |
| 17 | 100335 | Motor Compression Ring w/Screws | 1 set |
| | 100378 | Compression Ring Screw Set: 4 Screws | 1 set |
| 18 | 100014 | Tetraseal | 1 ea. |
| 19 | 105697 | Carbon Brush Set for ProVac Motor (Domel Motor) | 1 set |
| | 100424 | Carbon Brush Set for ProVac Motor (Ametek Motor) | 1 set |
| | 100173 | Carbon Brush Set for 400 Hz Motor (AviationVac) | 1 set |
| 20 | 105720 | Motor/Fan (120 V) w/Crimps for ProVac | 1 ea. |
| | 100420 | Motor/Fan (220 V) w/Crimps for ProVac | 1 ea. |
| | 100171 | Motor/Fan w/Rectifier and Crimps (400Hz) (ProVac AviationVac) | 1 set |
| | 100174 | Motor Rectifier (ProVac AviationVac) | 1 ea. |
| | 100379 | Motor Ground Connection and Wire Clamp Set w/Screws | 1 set |
| | 100380 | Motor Crimp Set: 5 Female, 3 Male, Ground Crimp Connector | 1 set |
| 21 | 100586 | Bottom Bumper | 1 ea. |
| 22 | 100368 | Motor Mounting System Set: 3 Well Nuts, 3 Bolts, 3 Washers, 3 Covers | 1 set |
| 23 | 100030 | Dome Filter w/Foam Media | 1 ea. |
| 24 | 100343 | Foam Filter Media for Dome Filter | 1 ea. |
| | 101220 | High Filtration Disk (Optional) | 2/pk |
| 25 | 100505 | Static-Dissipating Hose (Black) w/Cuffs 1 1/2" | 1 ea. |
| | 103237 | Static-Dissipating Hose (AviationVac) 1 1/4" (Black) | 1 ea. |
| 26 | 100694 | Replacement Swivel Cuff (Black) 1 1/2" | 1 ea. |
| | 102715 | Replacement Double Swivel Elbow Cuff 1 1/4" (Black) (AviationVac) | 1 ea. |
| | 103279 | Replacement Swivel Cuff 1 1/4" (Black) (AviationVac) | 1 ea. |
| | 101678 | 50' Extension Cord (Not Shown) | 1 ea. |